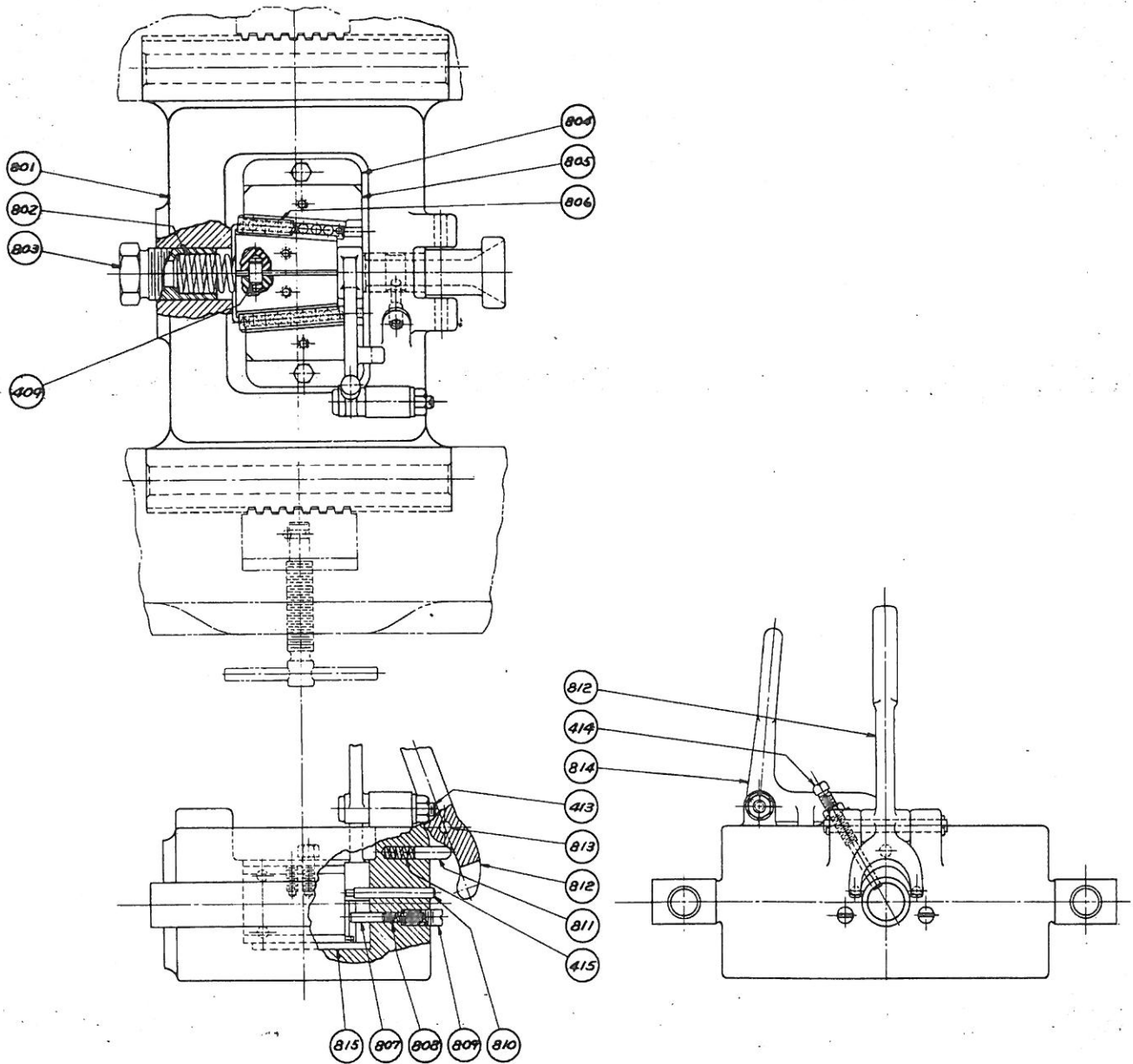


**INCHING GRIP BOX
PARTS LIST**



SHEET WD-7



800 INCHING GRIP BOX COMPLETE WITH PARTS 801 TO 815 INCL., 409, 413, 414 AND 415

- 801 INCHING GRIP BOX
- 802 SPRING FOR INCH. GRIP BLOCK HOLLOW SCREW
- 803 HOLLOW SCREW FOR INCHING GRIP BOX
- 804 BACKING BLOCKS FOR INCHING GRIP BOX
- 805 STATIONARY WEDGE BLOCKS FOR INCH. GRIP
- 806 INCHING GRIP ROLLER CAGES
- 807 PLUGS FOR INCH. GRIP ROLLER CAGE SPRINGS
- 808 INCH. GRIP ROLLER CAGE ACTUATING SPRINGS
- 809 SCREWS FOR INCH. GRIP ROLLER CAGE ACT. SPRINGS
- 810 PINS FOR INCHING GRIP BLOCK RELEASE

- 811 INCH. GRIP RELEASE HANDLE SPRING PLUG
- 812 INCHING GRIP BLOCKS RELEASE HANDLE
- 813 FULCRUM PIN FOR INCH. GRIP RELEASE HANDLE
- 814 INCHING GRIP BLOCK BLOCKER LEVER
- 815 BOTTOM LINER FOR INCHING BOX
- 409 PINS FOR GRIP BLOCKS
- 413 BLOCKER LEVER FULCRUM PIN
- 414 SPECIAL SET SCREW FOR INCH. GRIP BOX
- 415 GRIP RELEASE HANDLE SPRING

WHEN ORDERING REPLACEMENTS STATE
SERIAL NUMBER AND SIZE STAMPED ON
NAME PLATE OF MACHINE AND DESIGNATE
PART BY BOTH NAME AND NUMBER

**THE AJAX MANUFACTURING COMPANY
CLEVELAND (17), OHIO**